

# mr.steam® ChromaSteam™

## Installation and Operating Instructions

### Model MS Chroma

#### Box Contents

The MS Chroma includes all of the following:

- 1 Installation and Operation Manual
- 1 Light Fixture, Lens & LED Cluster
- 1 Tube of Silicone
- 1 30 Ft. cable for use with eTEMPO/PLUS

**IMPORTANT NOTE:** Only one MS CHROMA light may be connected to the control board in the steam generator.

**IMPORTANT NOTE:** Chromasteam™ System is for mood lighting only and not a substitute for general illumination.

**IMPORTANT NOTE:** The Chromasteam™ System is rated 14.4 watts.

**IMPORTANT NOTE:** As you read these instructions, you will notice warning and caution symbols. This blocked information is important for the safe and efficient installation and operation of this Chromasteam. These are two types of potential hazards that may occur during this installation and operation:

#### **! WARNING**

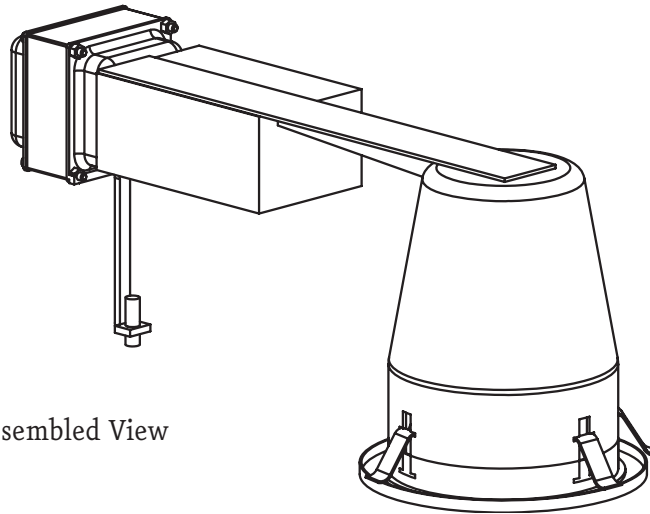
States a hazard which may cause serious injury or death if precautions are not followed.

#### **! CAUTION**

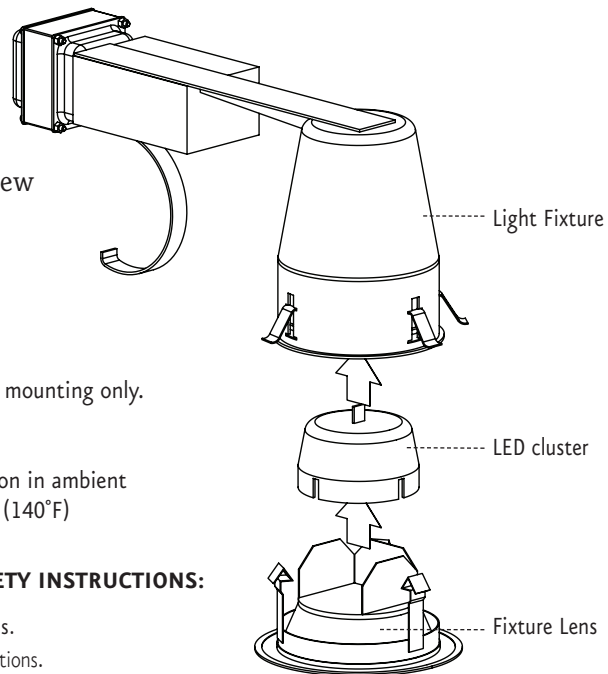
Signals a situation where minor injury or product damage may occur if you do not follow instructions.

#### **IMPORTANT NOTE:**

This highlights information that is especially relevant to a problem-free installation.



Assembled View



#### **! CAUTION**

For recessed ceiling mounting only.

#### **! CAUTION**

Suitable for operation in ambient not exceeding 60°C (140°F)

#### **IMPORTANT SAFETY INSTRUCTIONS:**

1. Read all instructions.
2. Suitable for wet locations.
3. Luminaire is for Non-IC applications only. No insulation on or within 3 inches of any part of the luminaire assembly.
4. Not investigated for use in suspended ceilings. If intended for this application then listed clips, investigated for this use, must be properly installed to hold the can in place.

PUR 100404 Rev 5.22

mr.steam®

www.mrsteam.com • hello@mrsteam.com

43-20 34th Street, Long Island City, NY 11101 TEL: 1 800 76 STEAM FAX: 718 472 3256  
9410 S. La Cienega Blvd. Inglewood CA 90301 TEL: 1 800 72 STEAM FAX: 310 216 2944



## INSTALLATION with iTEMPO/PLUS<sup>®</sup> and eTEMPO/PLUS<sup>®</sup> CONTROL

**IMPORTANT NOTE:** Only one MS CHROMA light may be connected to the control board in the steam generator.

**! WARNING** Installation to be performed by a qualified and licensed electrician.

**! WARNING** Insure that power is not supplied to the field wiring during installation. Turn off power at breaker panel.

**! WARNING** Insulation must be a minimum of 3" away from all sides of the fixture assembly.

1. Determine the placement of the light.

**! CAUTION** Do not install the fixture assembly (light) where direct contact with steam or water emission could occur. Do not install the light in a location where it could become submerged.

2. The light requires a 4<sup>1</sup>/<sub>4</sub>" diameter hole for mounting.

3. Provide electrical service (120 VAC) with flexible cable only. Pass cable through ceiling opening and wire fixture in accordance with NEC and local electrical code.

**! WARNING** DO NOT install the wall switch in the steam room. The switch must be installed in a location and manner described in the NEC and local electric codes.

**! CAUTION** Do not use a dimmer switch to control the ChromaSteam Lights

4. Route the 30 foot cable supplied with the ChromaSteam from your steam bath generator through one of the knockouts in the ChromaSteam light wiring box. Provide a suitable strain relief bushing.

**IMPORTANT NOTE:** The quick connect tabs should be on the generator side, the Molex connector should be routed to the light, see figure 2.

5. Connect the quick connect tabs to the control board in the generator at the location marked CHROMA, see figure 4.

6. Remove the red jumper wire shown in figure 3 and discard. Connect the wire from the steam generator to the connector where the jumper was.

7. Connect the supply wires per the wiring diagram shown on page 4. Use suitable wire nuts (not included) to insulate and secure the supply connections.

8. Connect copper ground wire from wiring box to ground wire from electrical service using a wire nut to secure the connection.

9. Use the support adjustment screw shown to provide support for the housing on the inside surface of the ceiling when installed.

10. With the clips folded into the fixture as shown in figure 1 insert the wired housing into the ceiling junction box first as shown in figure 2.

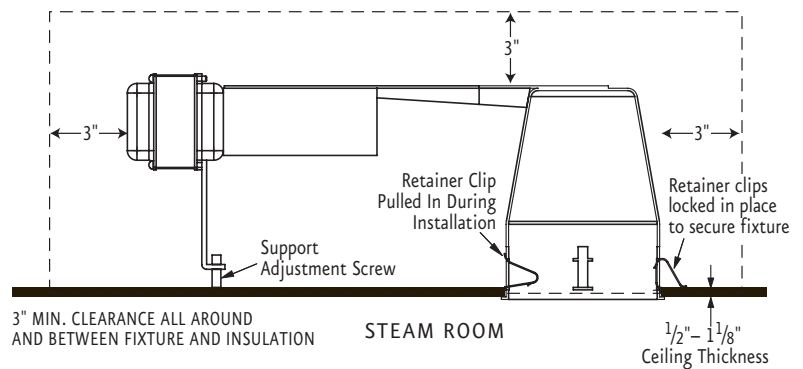


Figure 1

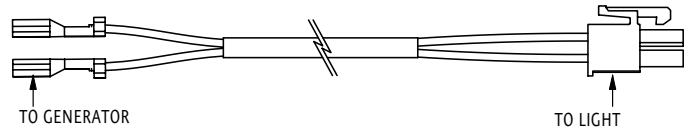


Figure 2

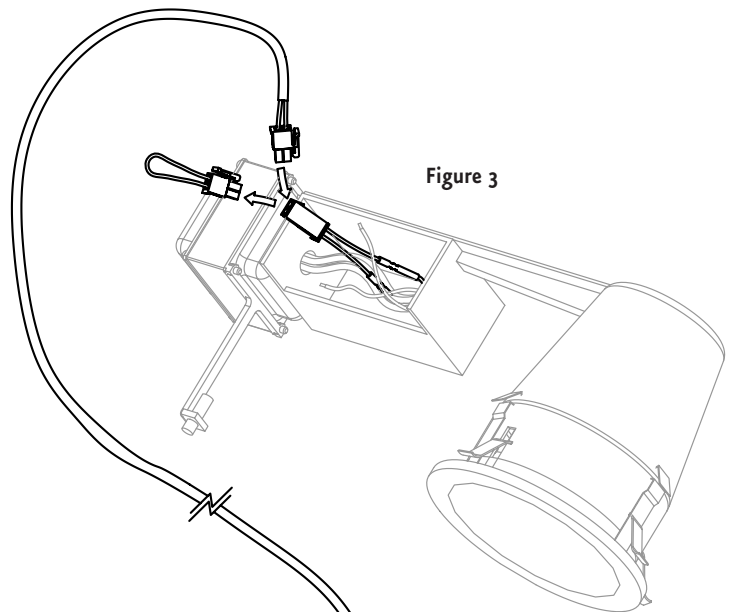


Figure 3

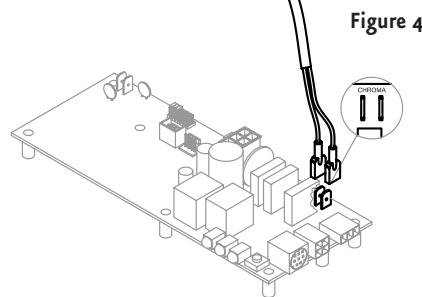


Figure 4

11. Hold fixture up against the ceiling and push clips through housing slot. To lock clip in place push flat portion against the side of the fixture using a flat head screwdriver (fig. 6).
12. Install the LED cluster into the wedge base in the fixture.
13. Install the fixture lens flush with the ceiling. (fig. 7)
14. Apply a fillet of silicone around the edge of the fixture lens where it meets the ceiling to ensure it is sealed from moisture.

**IMPORTANT NOTE:** In areas where excessive ceiling vibration can occur, we suggest using a 1/4 - 14 x 1/2" pan head sheet metal screw to lock the spring clip against the housing. Drive the screw through the hole provided in the spring clip and into the housing slot.

**OPERATION**

1. Ensure the wall switch is left in the ON position.
2. The nine color modes in order are:
 

a. Bright White	f. Green
b. Blue/Green	g. Red
c. Violet	h. Chameleon (slow automatic cycle)
d. Blue	i. Party Mode (fast automatic cycle)
e. Yellow	

3. To cycle through the color choices turn the light off for 1 to 2 seconds using the CHROMA button on your eTEMPO/PLUS control as shown. When the light is turned back on the next color will illuminate. Continue turning the light on and off till you select the desired light to fit your mood.

**NOTE:** The ChromaSteam lights can be turned ON/OFF from the eTEMPO/PLUS control even if the steam generator is not ON.

4. If multiple lights are installed with one wall switch they can be synchronized. Remove all the LED clusters except one. Turn the switch ON and note the color. Remove that cluster and install the next. Turn the switch ON/OFF until the second cluster matches the first. Remove the second cluster and repeat the process for all the clusters used. Reinstall all the clusters when completed and they will be synchronized.

**CAUTION** Ensure power is turned off at the breaker before installing LED cluster. Hot Swapping LED clusters could render them inoperable.

Please contact Mr.Steam Technical Support at 1-800-STEAM for replacement LED clusters, part number 104119.

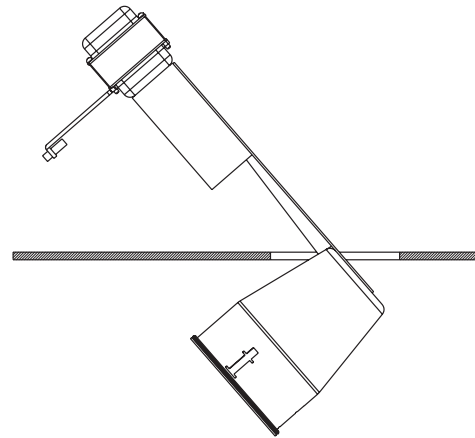


Figure 5

Figure 6

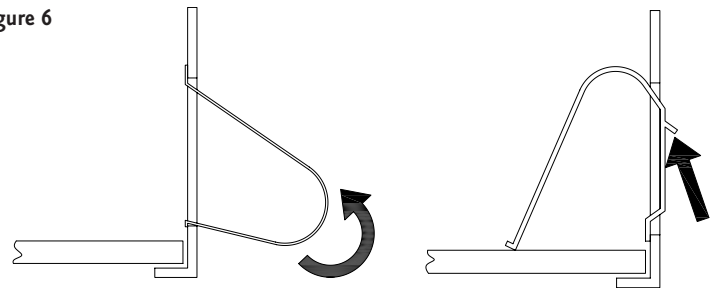
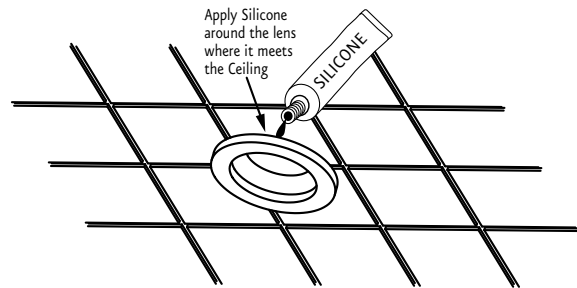
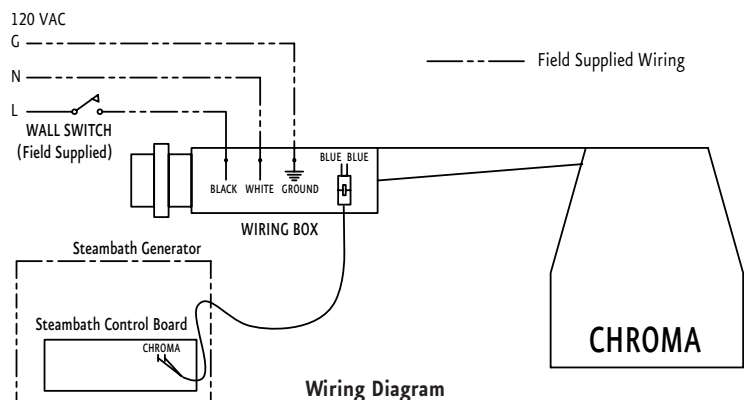


Figure 7



Chroma button



Wiring Diagram

## GENERAL INSTALLATION with iTEMPO®, eTEMPO & Stand Alone

See page 3 for installation instructions when installed with an eTempo/Plus control.

**! WARNING** Installation to be performed by a qualified and licensed electrician.

**! WARNING** Insure that power is not supplied to the field wiring during installation. Turn off power at breaker panel.

**! WARNING** Insulation must be a minimum of 3" away from all sides of the fixture assembly.

1. Determine the placement of the light.

**! CAUTION** Do not install the fixture assembly (light) where direct contact with steam or water emission could occur. Do not install the light in a location where it could become submerged.

2. The light requires a 4-<sup>1</sup>/<sub>4</sub>" diameter hole for mounting.

3. Provide electrical service (120 VAC) with flexible cable only. Pass cable through ceiling opening and wire fixture in accordance with NEC and local electrical code. A standard single pole wall switch must be installed to turn the light on and off. One wall switch can be used to control multiple lights.

**! WARNING** DO NOT install the wall switch in the steam room. The switch must be installed in a location and manner described in the NEC and local electric codes.

**! CAUTION** Do not use a dimmer switch to control the ChromaSteam Lights

4. Connect the supply wires per the wiring diagram. Use suitable wire nuts (not included) to insulate and secure the connection.

5. Connect copper ground wire from wiring box to ground wire from electrical service using a wire nut to secure the connection.

6. Use the support adjustment screw shown to provide support for the housing on the inside surface of the ceiling when installed.

7. With the clips folded into the fixture as shown in figure 1 insert the wired housing into the ceiling junction box first as shown in figure 2.

8. Hold fixture up against the ceiling and push clips through housing slot. To lock clip in place push flat portion against the side of the fixture using a flat head screwdriver (Fig.3).

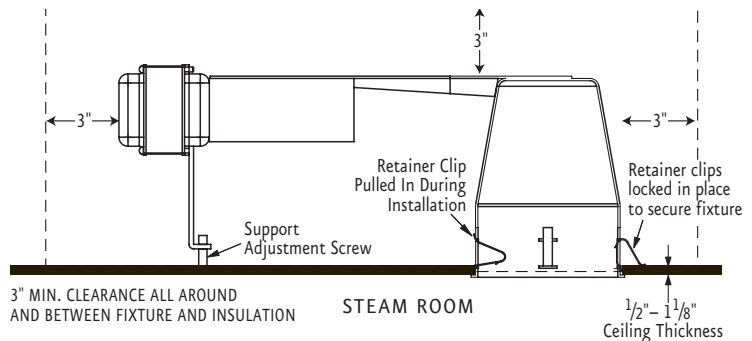


Figure 1

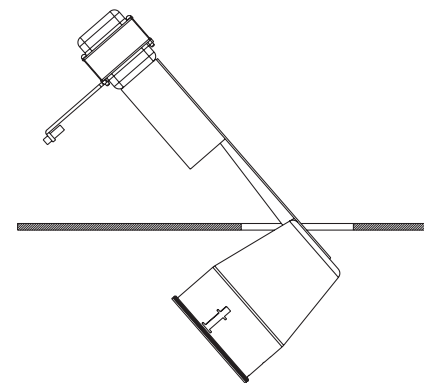


Figure 2

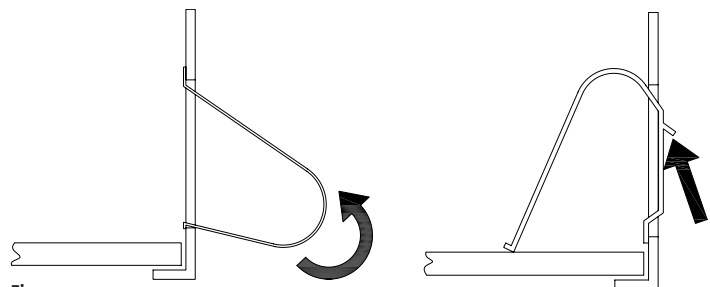
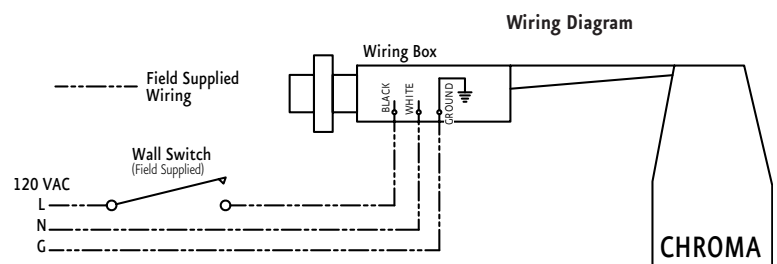


Figure 3



Not required for Tempo, Tempo/Plus, eTempo or stand alone installations

- 9. Install the LED cluster into the wedge base in the fixture.
- 10. Install the fixture lens flush with the ceiling (Fig.4)
- 11. Apply a fillet of silicone around the edge of the fixture lens where it meets the ceiling to ensure it is sealed from moisture.

**IMPORTANT NOTE:** In areas where excessive ceiling vibration can occur, we suggest using a 1/4 - 14 x 1/2" pan head sheet metal screws to lock the spring clip against the housing. Drive the screw through the hole provided in the spring clip and into the housing slot.

**OPERATION**

- 1. The nine color modes in order are:
  - a. Bright White      d. Blue              g. Red
  - b. Blue/Green      e. Yellow          h. Chameleon (slow automatic cycle)
  - c. Violet              f. Green            i. Party Mode (fast automatic cycle)
- 2. To cycle through the color choices turn the light off for 1 to 2 seconds, when the light is turned back on the next color will illuminate. Continue turning the light on and off till you select the desired light to fit your mood.
- 3. If left off for more than 5 seconds the last color selection will be stored in the memory. When the light is turned on after being off for more than 5 seconds it will be the color of your last selection. To select a different color simply turn the light on and off as described above to cycle through the colors.

**! CAUTION** Ensure power is turned off at the breaker before installing LED cluster. Hot Swapping LED clusters could render them inoperable.

Please contact Mr.Steam Technical Support at 1-800-STEAM for replacement LED clusters, part number 104119.

